



**BRASSELER**  
USA<sup>®</sup> BY YOUR SIDE<sup>™</sup>

**HIGH SPEED AIR  
HANDPIECES**

# NLXK™

## Powerful Performance...

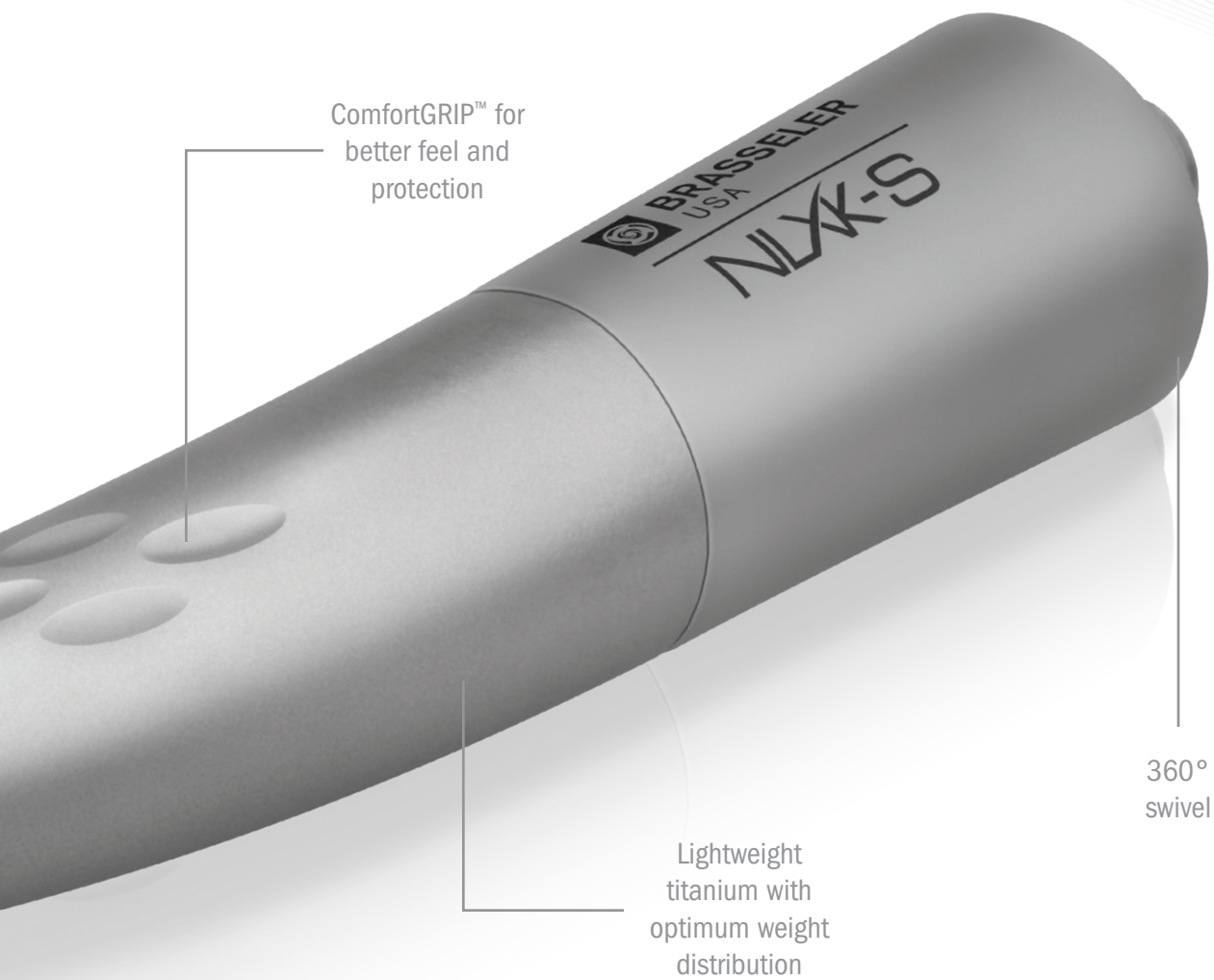
Up to 26 watts  
of power for  
smoother cutting  
efficiency

Durable ceramic  
ball bearings  
with 3-year  
warranty

Four-port  
water spray for  
ideal cooling

Slim neck design  
for improved  
visibility

LED  
Optics

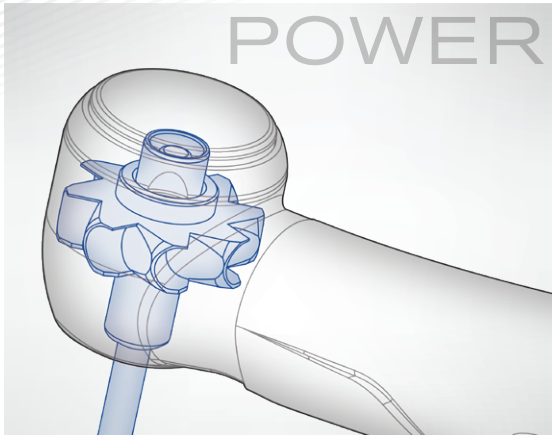


ComfortGRIP™ for  
better feel and  
protection

Lightweight  
titanium with  
optimum weight  
distribution

360°  
swivel

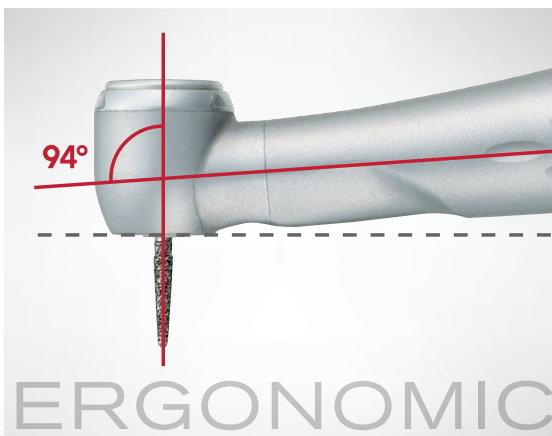
The NLXK high speed air handpiece from Brasseler USA is designed for maximum durability and performance. The innovative turbine design provides up to 26 watts of power, resulting in smoother cutting efficiency while reducing procedure time. Precision manufacturing and enhanced bearing technology offer improved durability backed by an industry leading three-year warranty. Equipped with ComfortGRIP coating, lightweight titanium construction and a thin neck design for improved visibility, the NLXK delivers a Powerful Performance.



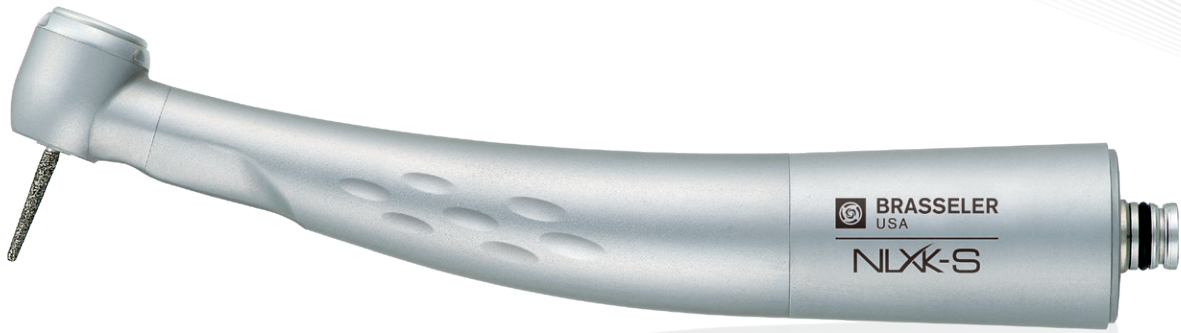
## NLXK™

The innovative turbine design of the NLXK provides up to **26 watts of power**, resulting in smoother cutting efficiency while reducing procedure time. Whether you are cutting through obsolete crowns or refining margins, the end result is an enhanced user experience.

Precision manufacturing and enhanced bearing technology of the NLXK lead to **improved durability, longevity and stability**. Backed by an **industry-leading three-year warranty**, the durability of the NLXK reduces your repair costs and down time while increasing your office's efficiency.



The **lightweight titanium construction** achieves optimum weight distribution while reducing hand and wrist fatigue during treatments. The **ComfortGRIP™** provides an ideal surface texture to improve grip while protecting against scratching and repeated autoclave sterilization cycles. Lastly, the **slim neck design** and **unique head angle** offer improved access and visibility.



**NLXK-S - Standard Head Size**

*Item Number: 5026764U0*

For Brasseler Coupler  
23 Watts of Power  
3-Year Warranty

**NLXK-T - Torque Head Size**

*Item Number: 5026765U0*

For Brasseler Coupler  
26 Watts of Power  
3-Year Warranty



**NLXK-KS - Standard Head Size**

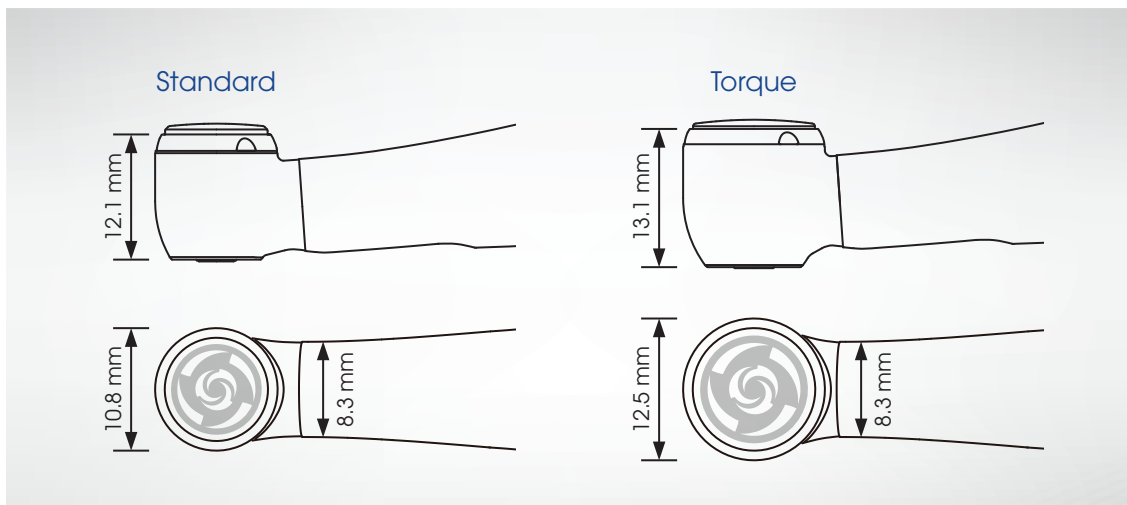
*Item Number: 5026766U0*

For KaVo® MULTiflex® Coupler  
21 Watts of Power  
3-Year Warranty

**NLXK-KT - Torque Head Size**

*Item Number: 5026767U0*

For KaVo® MULTiflex® Coupler  
24 Watts of Power  
3-Year Warranty

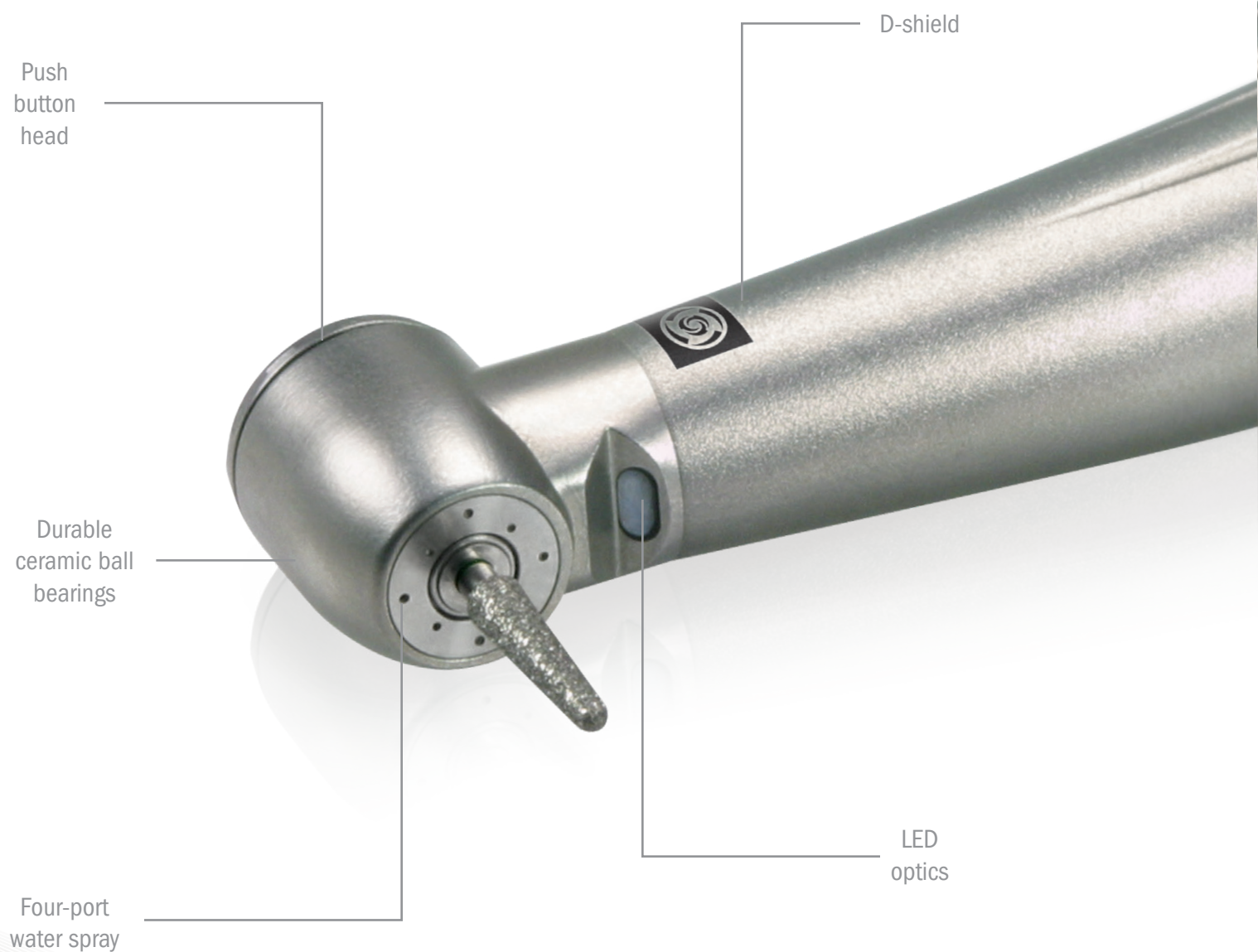


# NL9000™

*Its Performance is Legendary...*

The Brasseler USA NL9000 was engineered with one thought in mind: Performance.

Constructed of lightweight, high strength titanium, the NL9000 sets the standard for high speed air handpieces. Featuring ceramic bearings, quick disconnect swivel coupling and fiber optics, the NL9000 is available in miniature, standard and high-torque head sizes.





**NL9000M - Miniature Head Size**

*Item Number: 5021261U0*

For Brasseler Coupler  
17 Watts of Power  
2-Year Warranty

**NL9000S - Standard Head Size**

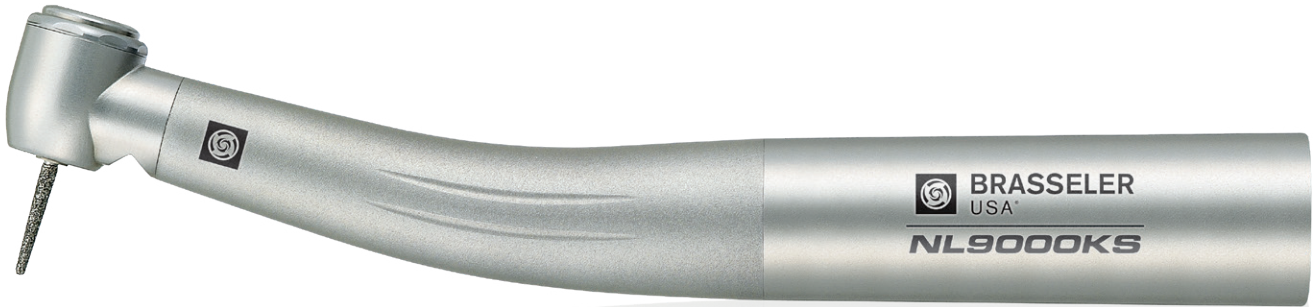
*Item Number: 5021262U0*

For Brasseler Coupler  
21 Watts of Power  
2-Year Warranty

**NL9000T - Torque Head Size**

*Item Number: 5021263U0*

For Brasseler Coupler  
22 Watts of Power  
2-Year Warranty



**NL9000KM - Miniature Head Size**

*Item Number: 5021264U0*

For KaVo® MULTiflex® Coupler  
16 Watts of Power  
2-Year Warranty

**NL9000KS - Standard Head Size**

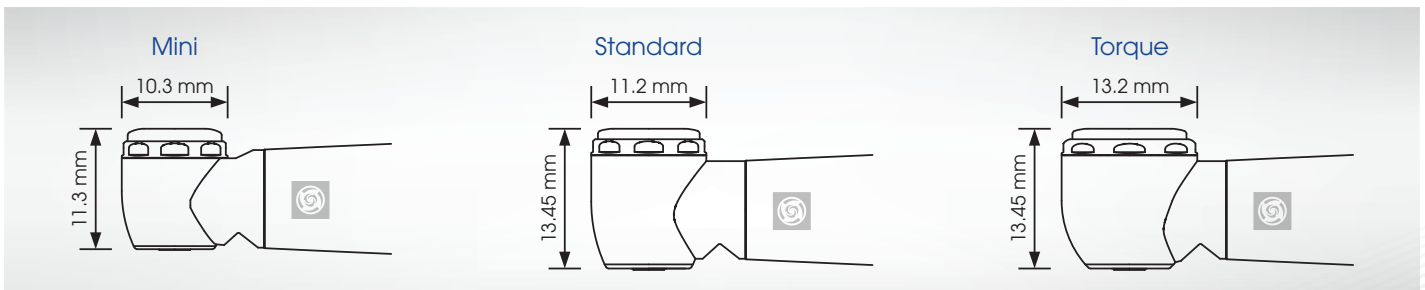
*Item Number: 5021265U0*

For KaVo® MULTiflex® Coupler  
18 Watts of Power  
2-Year Warranty

**NL9000KT - Torque Head Size**

*Item Number: 5021266U0*

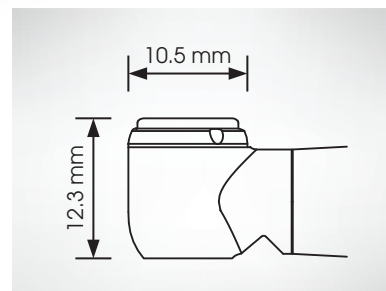
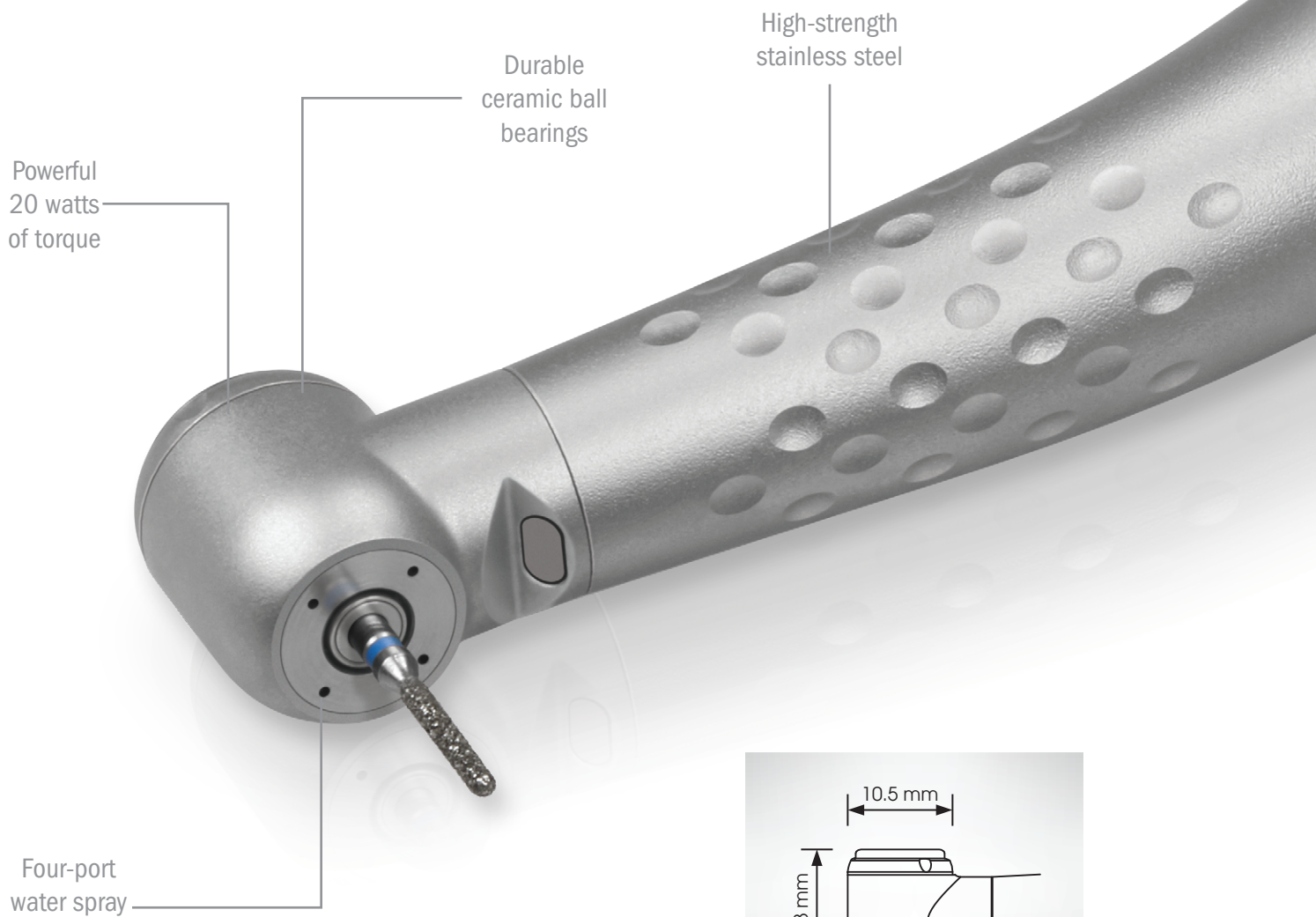
For KaVo® MULTiflex® Coupler  
19 Watts of Power  
2-Year Warranty



# BRIO440™

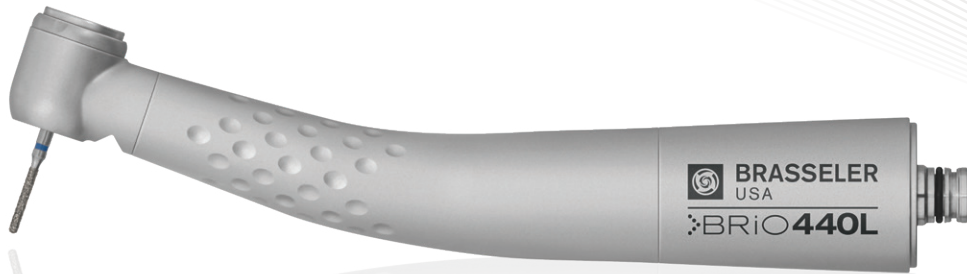
*Performance and Value...*

The Brio440 handpiece from Brasseler USA offers a powerful yet economic alternative in high speed handpieces. Featuring ceramic ball bearings, optic and non-optic options and 4-port water spray, the Brio440 provides a unique mix of performance and value in a high speed handpiece.



Compact head size





**Brio440L Optic**  
*Item Number: 5026058U0*  
For Brasseler Coupler  
20 Watts of Power  
1-Year Warranty



**Brio440 Non-Optic**  
*Item Number: 5026059U0*  
For Brasseler Coupler  
20 Watts of Power  
1-Year Warranty



**Brio440KL Optic**  
*Item Number: 5026479U0*  
For KaVo® MULTIflex® Coupler  
20 Watts of Power  
1-Year Warranty



**Brio440F Non-Optic**  
*Item Number: 5026480U0*  
For 4-Hole Direct Connection  
20 Watts of Power  
1-Year Warranty

# NL4500™

## *The Standard in Safe Access...*

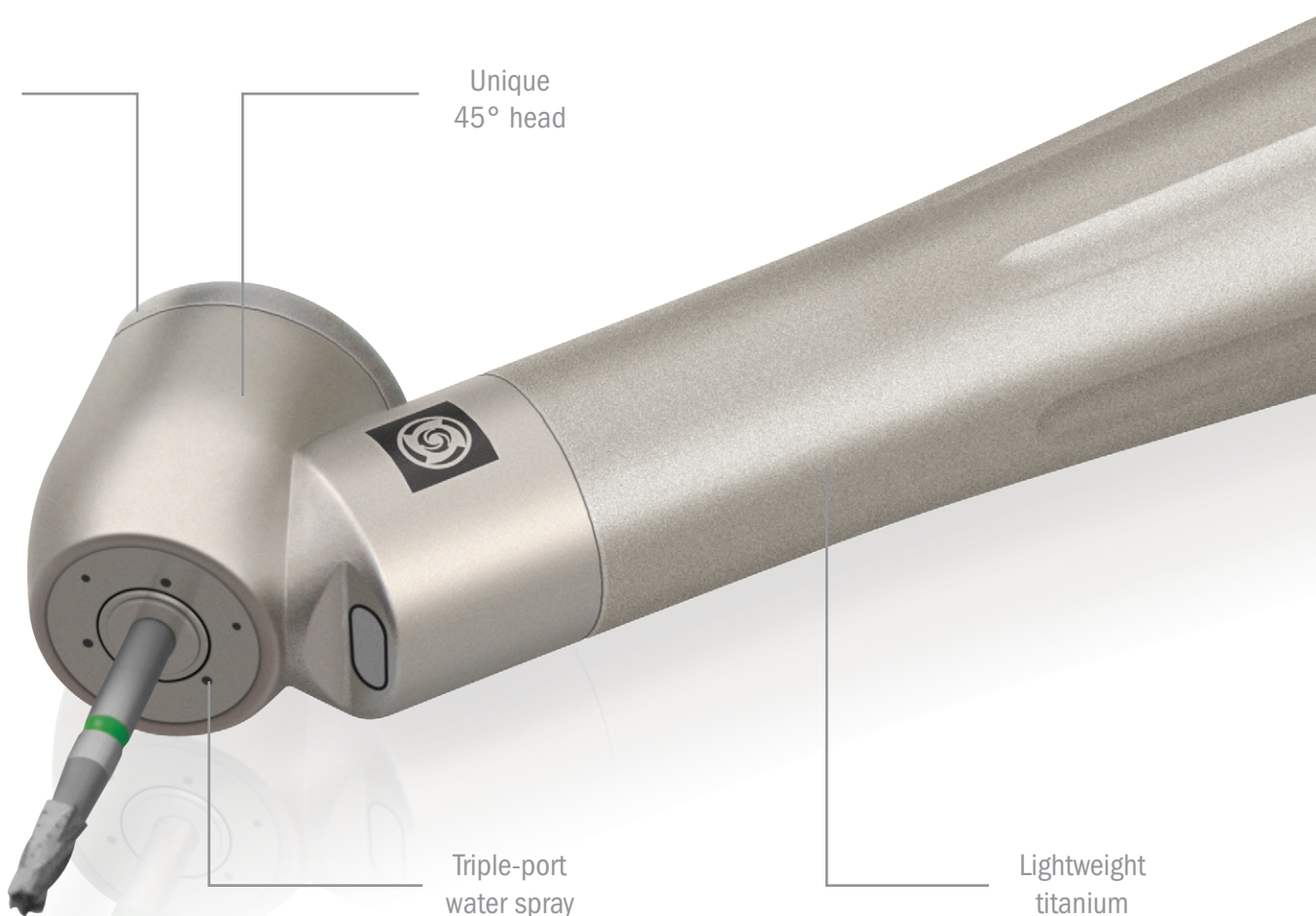
The NL4500 handpiece from Brasseler has a unique 45° angle head design that allows for maximum visibility and posterior access and is ideal for treating impacted molars. Equally important is the special triple port design that delivers a water stream, not a mist, directly to the tip of the bur. The NL4500 delivers powerful torque, features ceramic ball bearings and a push button head, all in a lightweight design.

Durable  
ceramic ball  
bearings

Unique  
45° head

Triple-port  
water spray

Lightweight  
titanium

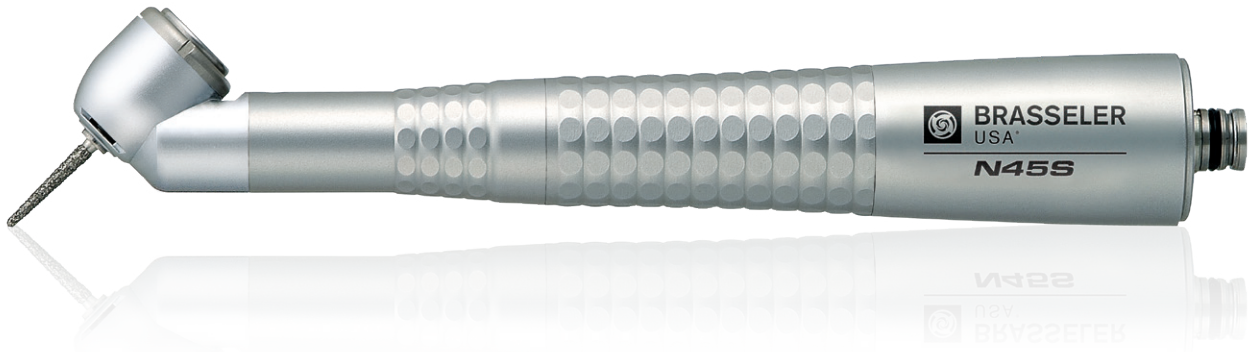




**NL4500 Optic**

*Item Number: 5025051U0*

- For Brasseler Coupler
- 21 Watts of Power
- Titanium Body
- 2-Year Warranty



**N45S Non-Optic**

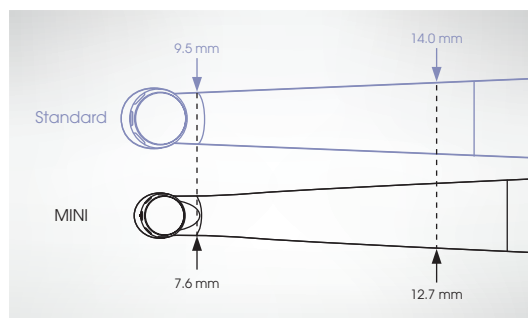
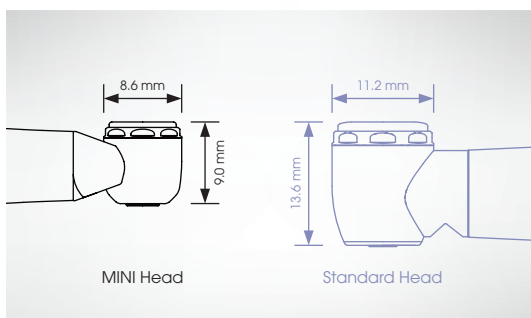
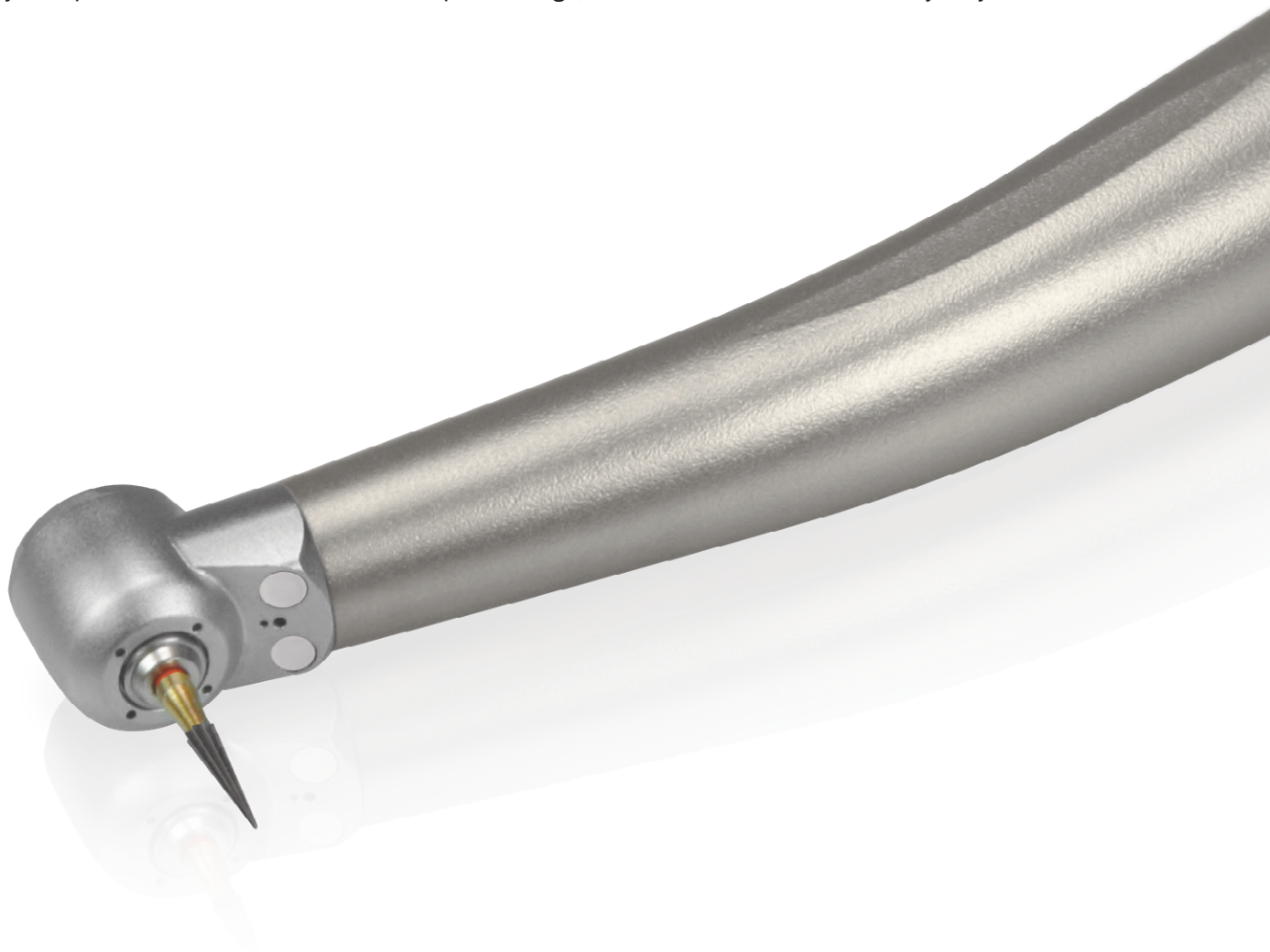
*Item Number: 5021272U0*

- For Brasseler Coupler
- 16 Watts of Power
- Stainless Steel Body
- 1-Year Warranty

# BRASSELER® MINI

*When "Open Wide" isn't Enough...*

Small in size but big in performance, the Brasseler MINI high speed handpiece offers a super miniature head size that provides maximum access and visibility. The lightweight handpiece features ceramic bearings, quick disconnect swivel and an easy-to-replace turbine. A revolution in handpiece design, the Brasseler MINI is a necessity for your limited access cases.





**Brasseler MINI**

*Item Number: 5021970U0*

For Brasseler Coupler

Fiber Optic

Recommended with Brasseler MINI Burs

1-Year Warranty



**Brasseler MINI KV**

*Item Number: 5022751U0*

For KaVo® MULTiflex® Coupler

Fiber Optic

Recommended with Brasseler MINI Burs

1-Year Warranty

*Recommended with Brasseler MINI burs:*



31 - FG Standard



33 - FG Short Shank



32 - FG MINI

# LED COUPLERS

*Excellence Illuminated...*



- CLEARER:** LEDs generate natural daylight-quality light, which assures clearer vision when compared to halogen light.
- DURABLE:** LED light sources are longer-lasting and more durable than halogen bulbs, saving you money.
- SAFER:** LED light is safer because it generates less heat than a halogen bulb. Natural daylight-quality LED light is easy on the eye.

## NL10LED

*Item Number: 5021283U0*

- For Brasseler Handpiece Connections
- LED Fiber Optics
- 6-Pin Tubing Connection
- Titanium Body
- Body: 1-Year Warranty
- Bulb: 3-Year Warranty



## NKLED

*Item Number: 5021284U0*

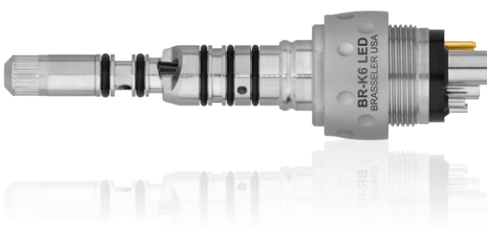
- For KaVo® MULTIflex® Connections
- LED Fiber Optics with Water Adjustments
- 6-Pin Tubing Connection
- Titanium Body
- Body: 1-Year Warranty
- Bulb: 3-Year Warranty



## BR-K6 LED

*Item Number: 5027003U0*

- For KaVo® MULTIflex® Connections
- LED Fiber Optic
- 6-Pin Tubing Connection
- Stainless Steel Body
- 1-Year Warranty



# COUPLERS

## NL10Ti

*Item Number: 5021281U0*

- For Brasseler Handpiece Connections
- Fiber Optics
- 6-Pin Tubing Connection
- Titanium Body
- 1-Year Warranty



## NL11Ti

*Item Number: 5021282U0*

- For Brasseler Handpiece Connections
- Fiber Optics
- 5-Hole Tubing Connection
- Titanium Body
- 1-Year Warranty



## N10Ti

*Item Number: 5021278U0*

- For Brasseler Handpiece Connections
- Non-Optic
- 4-Hole Tubing Connection
- Titanium Body
- 1-Year Warranty



## BR-4

*Item Number: 5027001U0*

- For Brasseler Connection
- Non-Optic
- 4-Hole Tubing Connection
- Stainless Steel Body
- 1-Year Warranty



## BR-K5

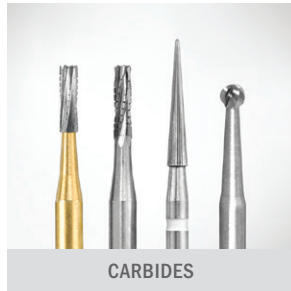
*Item Number: 5027002U0*

- For KaVo® MULTIflex® Connections
- Fiber Optic
- 5-Hole Tubing Connection
- Stainless Steel Body
- 1-Year Warranty





DIAMONDS



CARBIDES



POLISHERS



PROCEDURE SYSTEMS



BIOCERAMICS



Since 1976, our absolute focus has been to develop products and provide services that support the practice of core operatory procedures. Today, Brasseler USA® is the premier dental instrumentation company in North America offering the most extensive selection of dental and surgical instrumentation under one brand.



HANDPIECES



ENDODONTICS



SMALL EQUIPMENT



HYGIENE



HAND INSTRUMENTS



ORAL SURGERY



LABORATORY INSTRUMENTS



Visit our website at [BrasselerUSA.com](http://BrasselerUSA.com)

To order call 800.841.4522 or fax 888.610.1937. In Canada call 800.363.3838

